

I Can See! - Inverted Mirrors

By: Scott Sperman

Posted on www.ninja650.com (Accessories Forum) 2006

I made some brackets to invert the mirrors on my Ninja 650R, and the view in the mirrors is now great. Instead of seeing my knuckles and my elbows, I can actually see what's coming up behind me.

It is a little bit of a different look for this bike, but the more I look at it, the more it grows on me. The only downside is that the factory has some text on the bottom of the mirror frame (which is now the top.)



If you wish to purchase the brackets send a personal message to Scott Sperman (username: Sperman) on www.ninja650.com.

Scott advises that as of July 2006, the price for a pair of black anodized brackets is US\$75.00 shipped anywhere in the USA.

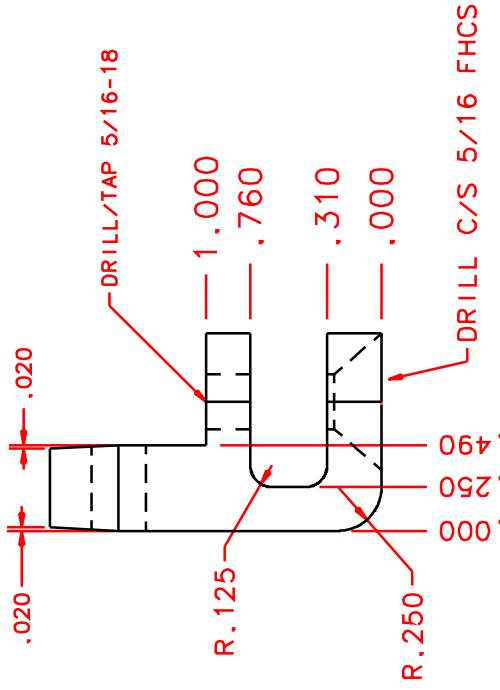
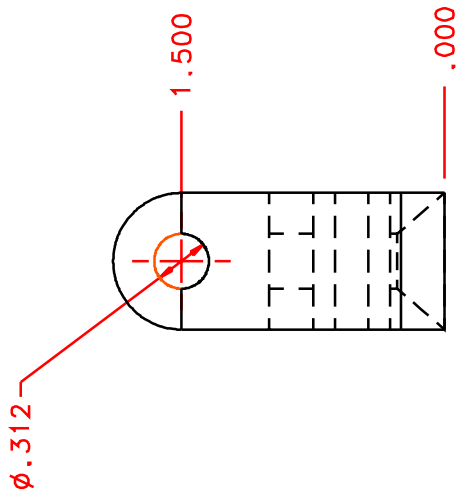
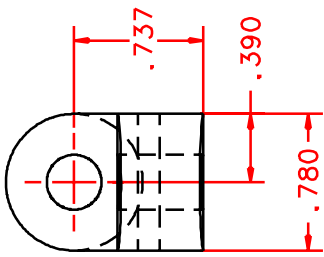
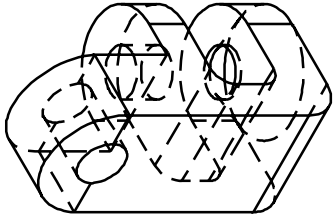
If you wish to manufacture your own set, plans are located at the end of this document.











DRILL C/S 5/16 FHCS

DS

X.X ±0.05
 X.XX ±0.01
 X.XXX ±0.003
 X.XXXX ±0.0015

BREAK ALL EDGES

NUMBER	DATE	DESCRIPTION	ORIG. DWG. DATE	PROJECT
1	7/10/06	Narrow gap for mirror, add taper.	04-19-06	5Team
			DRAWN BY	LIBRARY
			sperman	ZDSP_Scratch
			PART NUMBER	PART NAME
				MirrorInversionBracket
			VERSION INFO	MATERIAL
			PV03 DV03	6061-T6 - Black Anodize